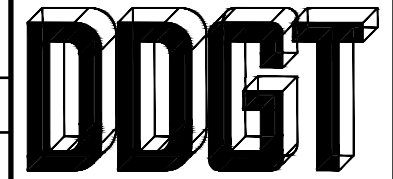


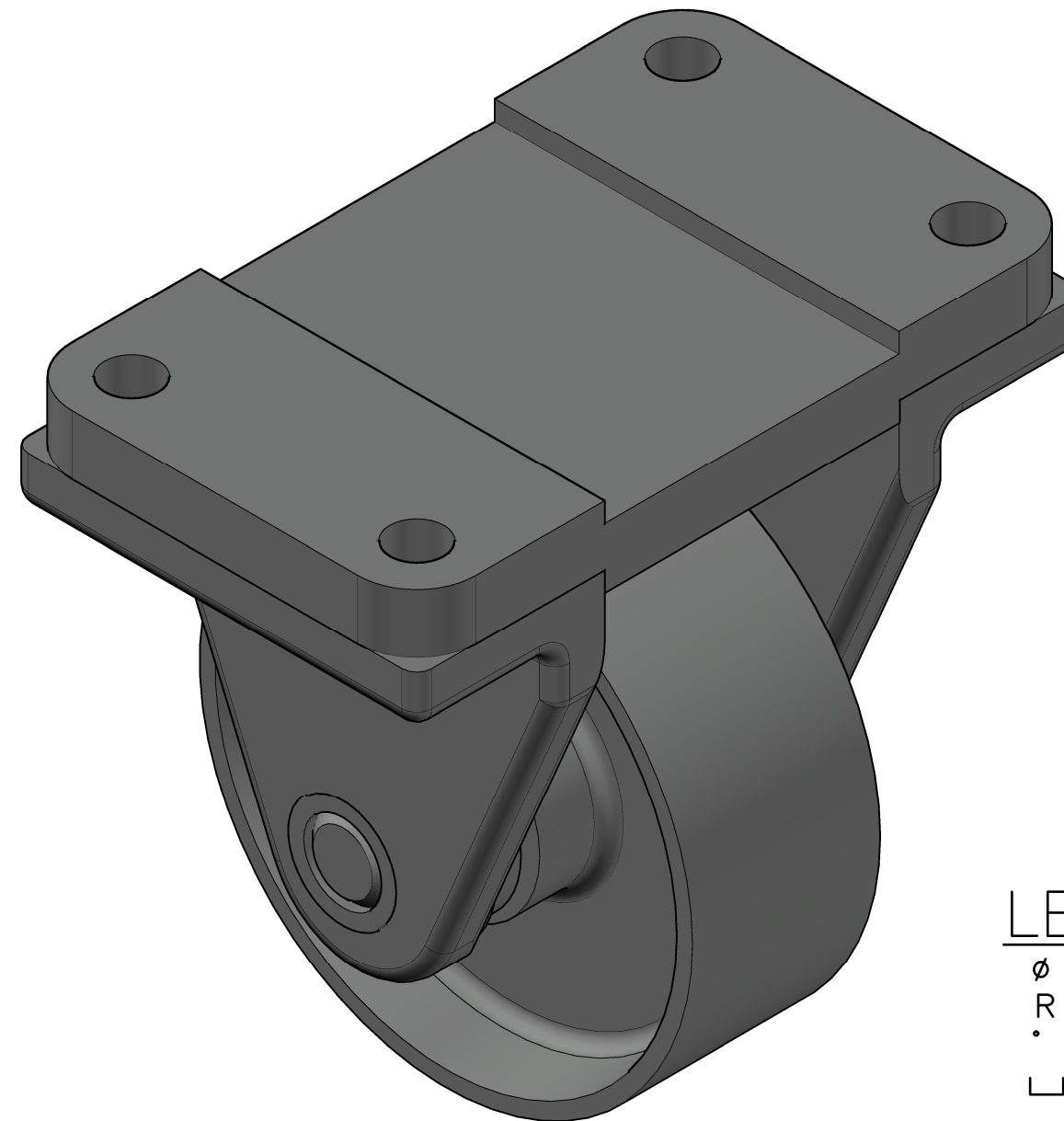
# PARTS

ITEM	QTY.	PART NAME	MATERIAL
1	1	TOP PLATE	MALLEABLE IRON
2	1	WHEEL	MALLEABLE IRON
3	2	AXLE SUPPORT	MALLEABLE IRON
4	1	AXLE	SAE 1020
5	2	BUSHING	BRONZE



DIGITAL DESIGN  
GRAPHICS  
TECHNOLOGY

WWW.DDGT.NET



CASTER ASSEMBLY  
SCALE 1:1

METRIC

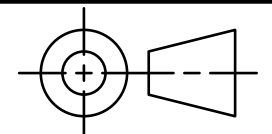
## GENERAL NOTES

FASTEN ASSEMBLY TO A 6mm  
PLATE BT FOUR M10 X 40mm  
LG HEX HD BOLTS, NUTS AND  
LOCK WASHERS.

ROUNDS AND FILLETS R3

## LEGEND

- ∅ DIAMETER
- R RADIUS
- ° DEGREES
- ⌊ SPOTFACE/COUNTERBORE



TOLERANCES UNLESS SPECIFIED  
MILIMETER  
WHOLE NUMBERS = ±.5  
X = ±.25  
XX = ±.12  
FRACTIONAL ±1/64"  
ANGLES ±1 DEGREE  
SURFACES 32/

CLASS: DDGT 120

ASSIGNMENT #: 60

AUTOCAD DRAWING NAME:  
CASTER

FIG #: 9-51

MANAGER: G. STROMMEN

DRAFTER: RAMIREZ MEZA

DATE: 12/14/2023

SCALE: AS NOTED

PAGE #: X OF 4

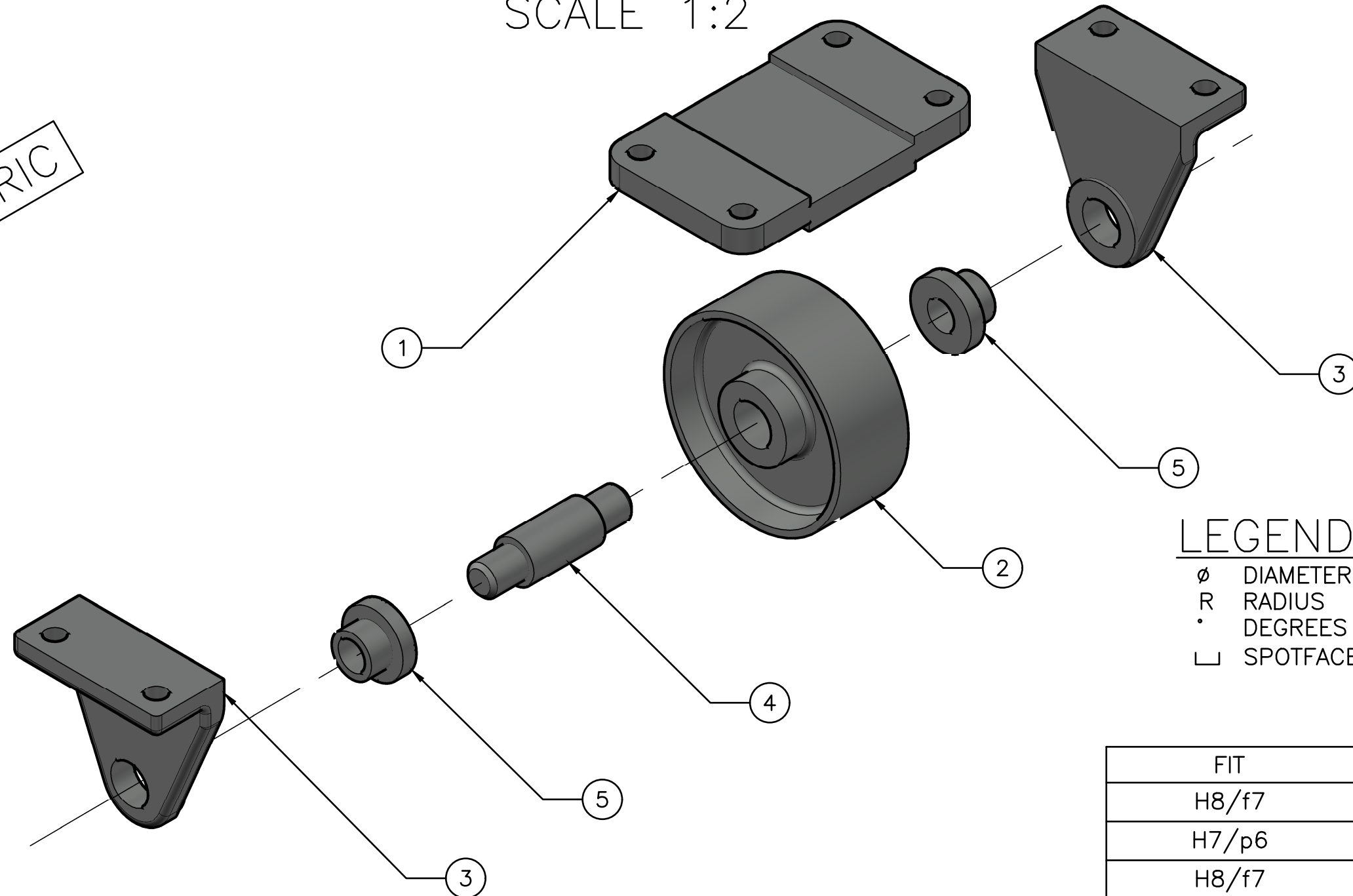
# GENERAL NOTES

FASTEN ASSEMBLY TO A 6mm  
PLATE BT FOUR M10 X 40mm  
LG HEX HD BOLTS, NUTS AND  
LOCK WASHERS.

ROUNDS AND FILLETS R3

## CASTER EXPLODED ASSEMBLY SCALE 1:2

METRIC



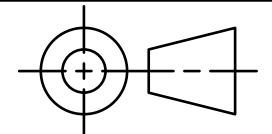
### PARTS

ITEM	QTY.	PART NAME
1	1	TOP PLATE
2	1	WHEEL
3	2	AXLE SUPPORT
4	1	AXLE
5	2	BUSHING



DIGITAL DESIGN  
GRAPHICS  
TECHNOLOGY

WWW.DDGT.NET



TOLERANCES UNLESS SPECIFIED  
MILIMETER  
WHOLE NUMBERS = ±.5  
X = ±.25  
XX = ±.12  
FRACTIONAL ±1/64"  
ANGLES ±1 DEGREE  
SURFACES 32/

CLASS: DDGT 120

ASSIGNMENT #: 60

AUTOCAD DRAWING NAME:  
CASTER

FIG #: 9-51

MANAGER: G. STROMMEN

DRAFTER: RAMIREZ MEZA

DATE: 12/14/2023

SCALE: AS NOTED

PAGE #: 2 OF 4

### LEGEND

- ∅ DIAMETER
- R RADIUS
- ° DEGREES
- SPOTFACE/COUNTERBORE

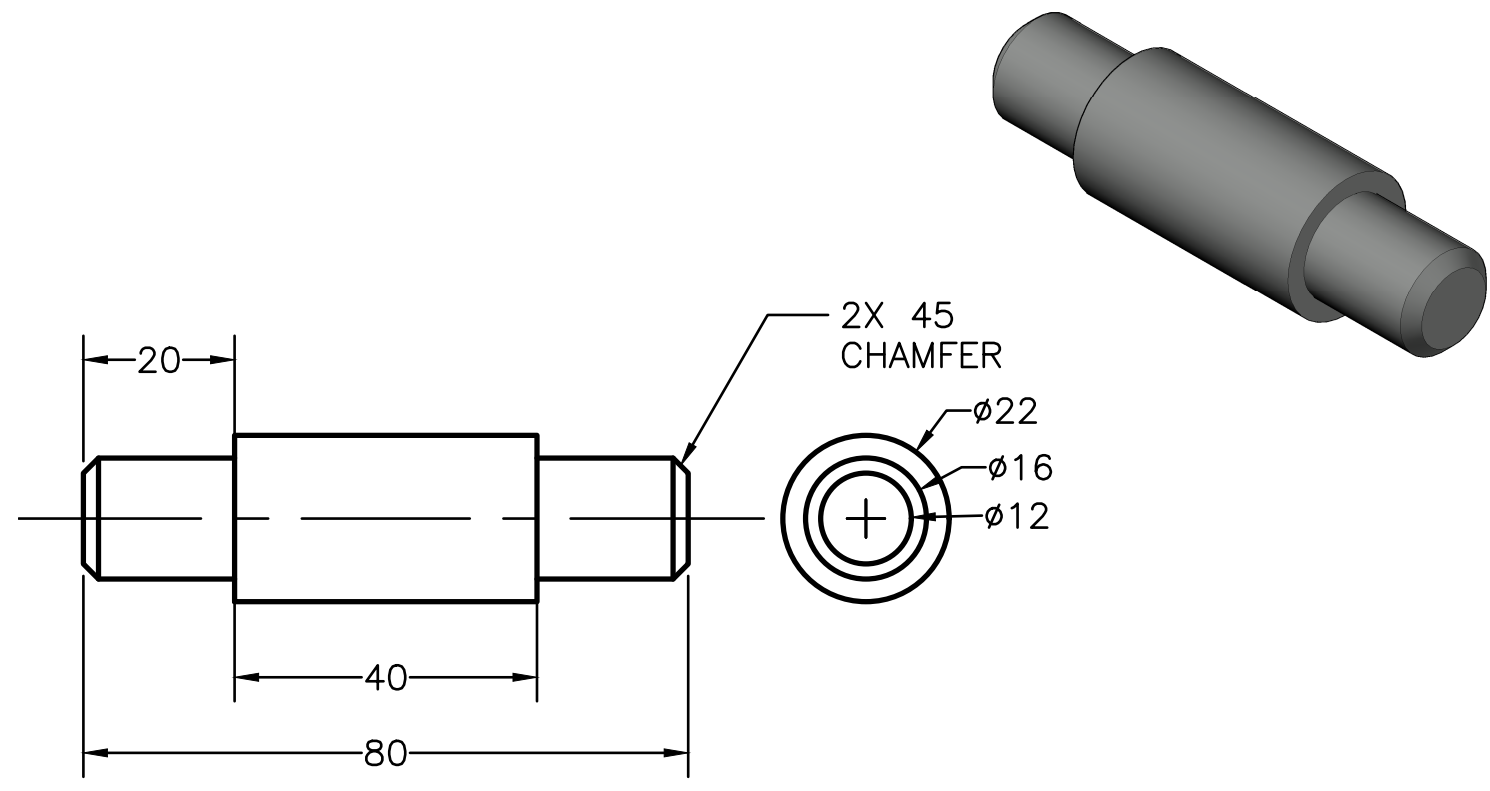
FIT	BETWEEN PARTS
H8/f7	4 AND 5
H7/p6	3 AND 5
H8/f7	2 AND 4

GENERAL NOTES:  
FASTEN ASSEMBLY TO A 6mm PLATE BT FOUR M10 X 40mm LG HEX HD BOLTS, NUTS AND LOCK WASHERS.

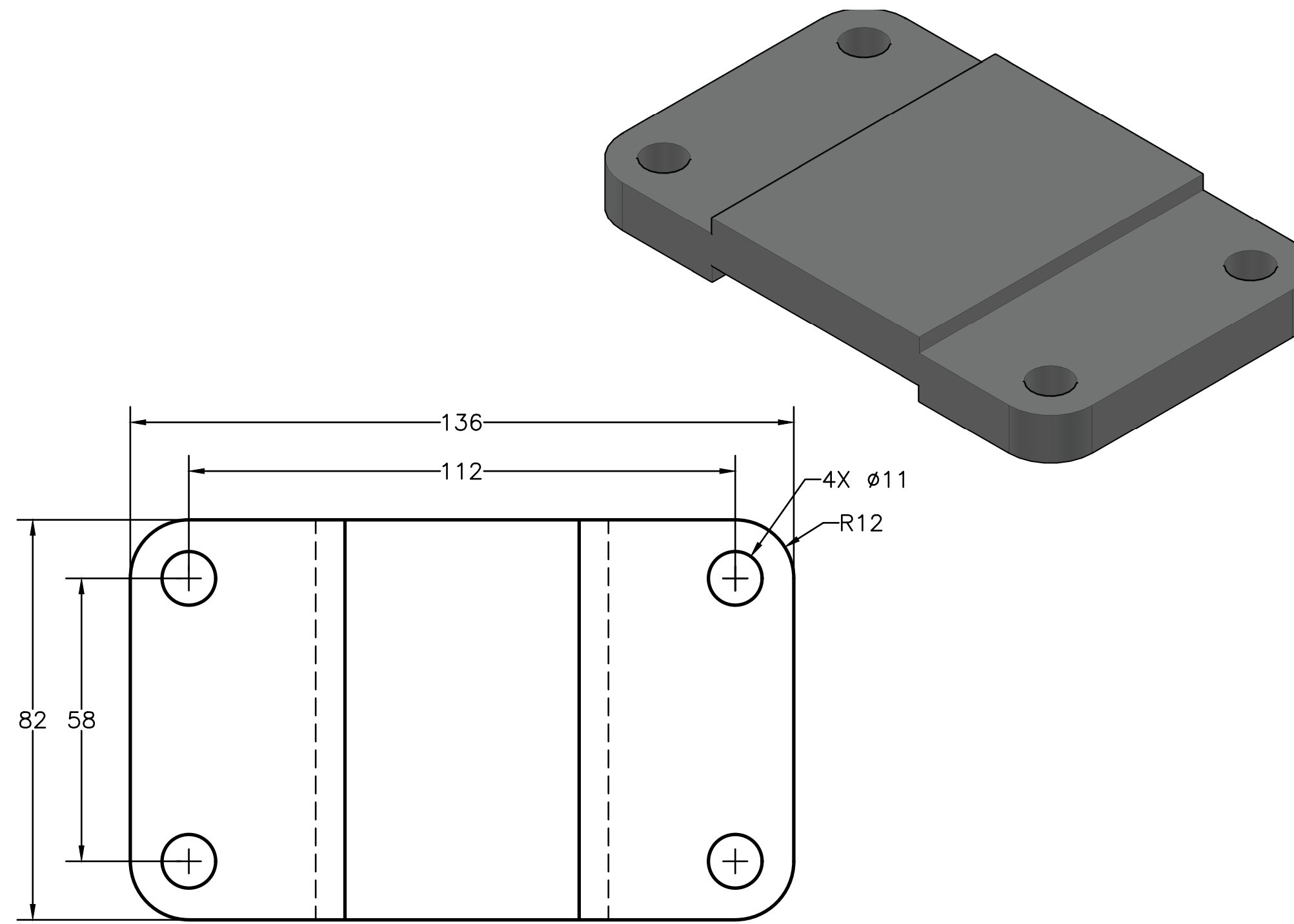
ROUNDS AND FILLETS R3

PARTS		
ITEM	QTY.	PART NAME
1	1	TOP PLATE
2	1	WHEEL
3	2	AXLE SUPPORT
4	1	AXLE
5	2	BUSHING

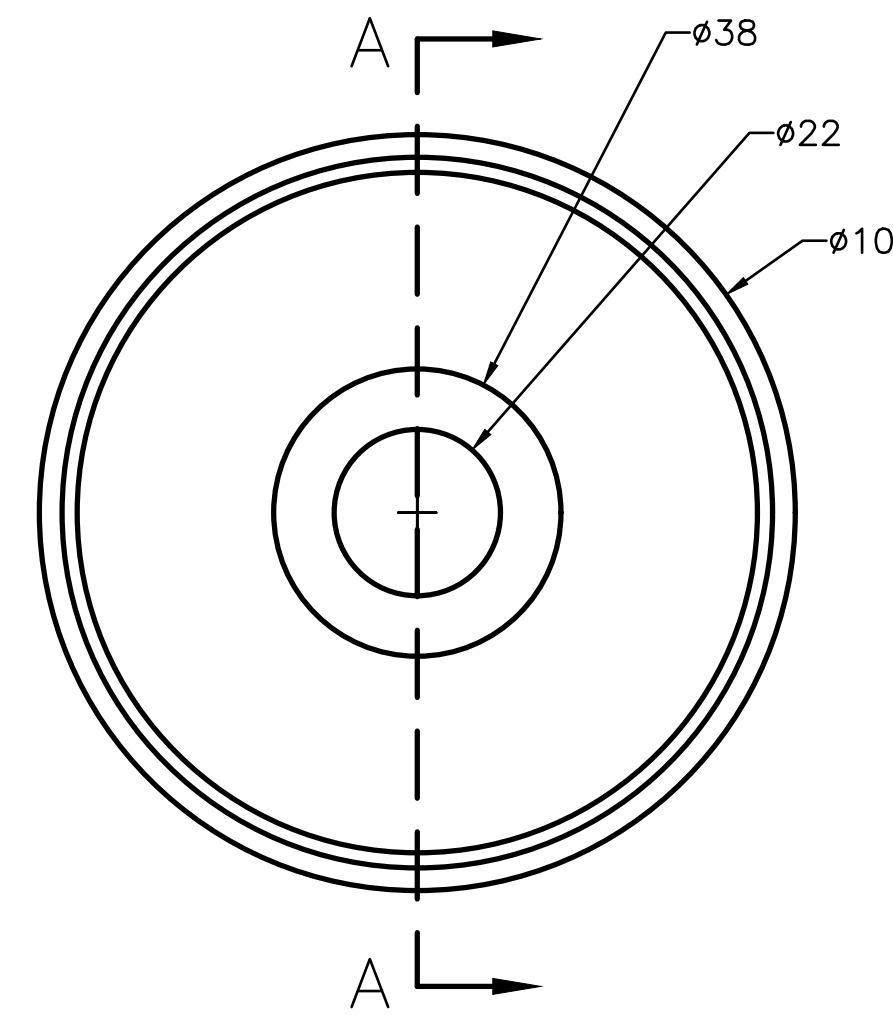
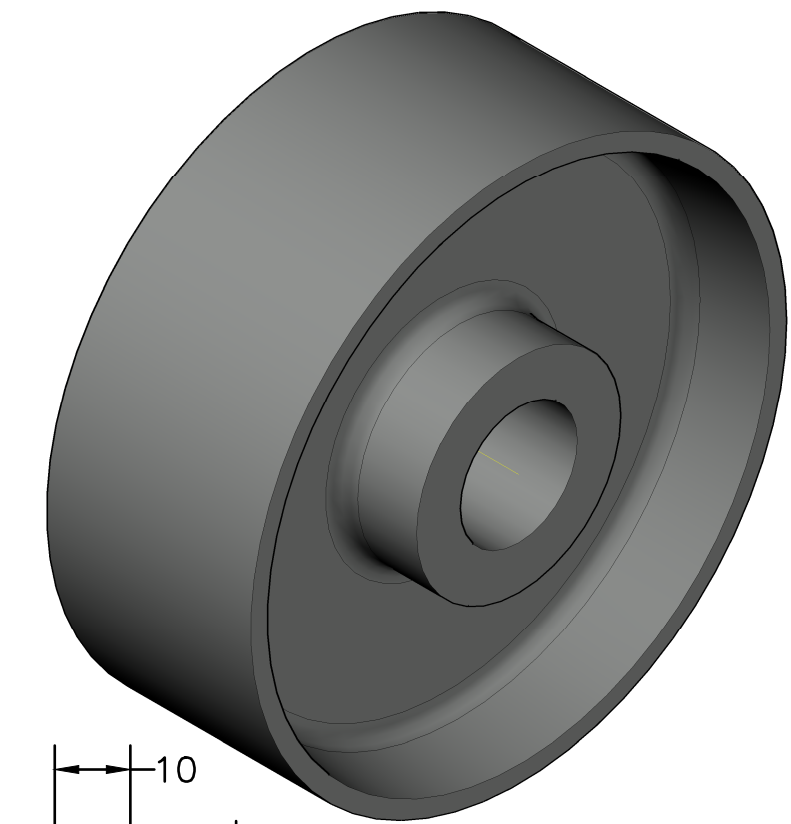
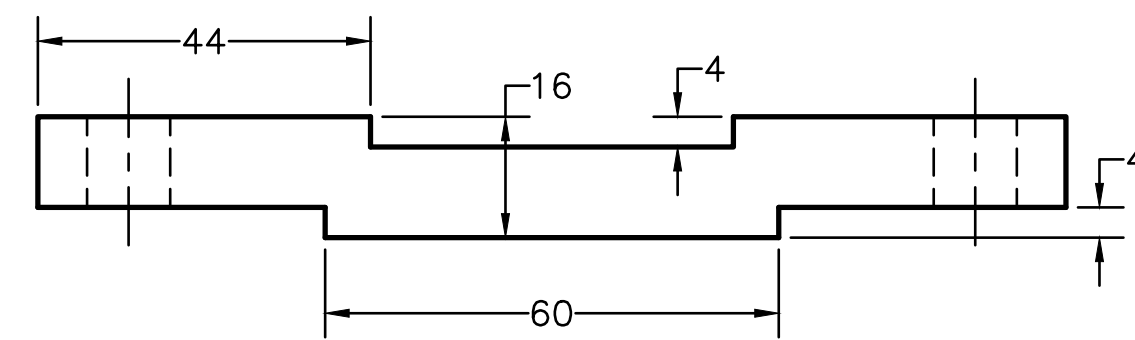
METRIC



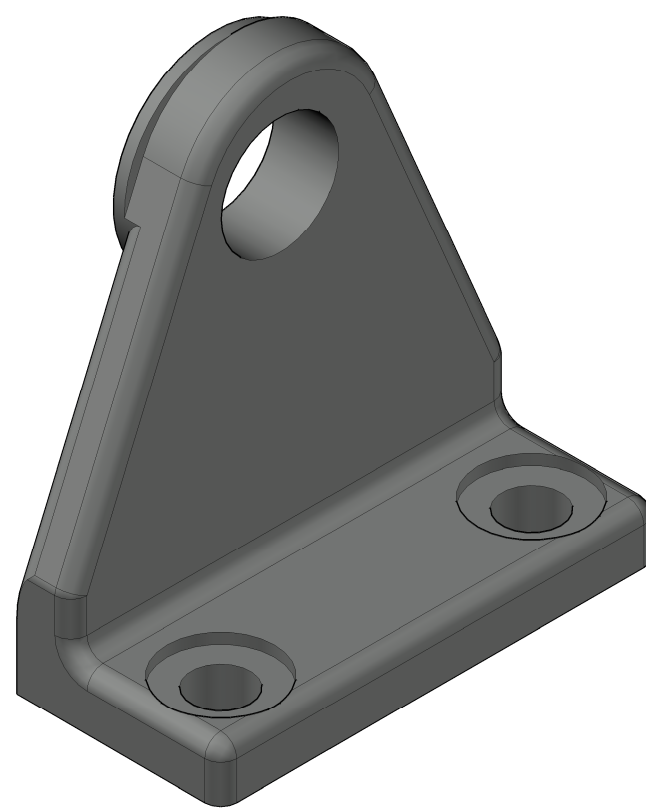
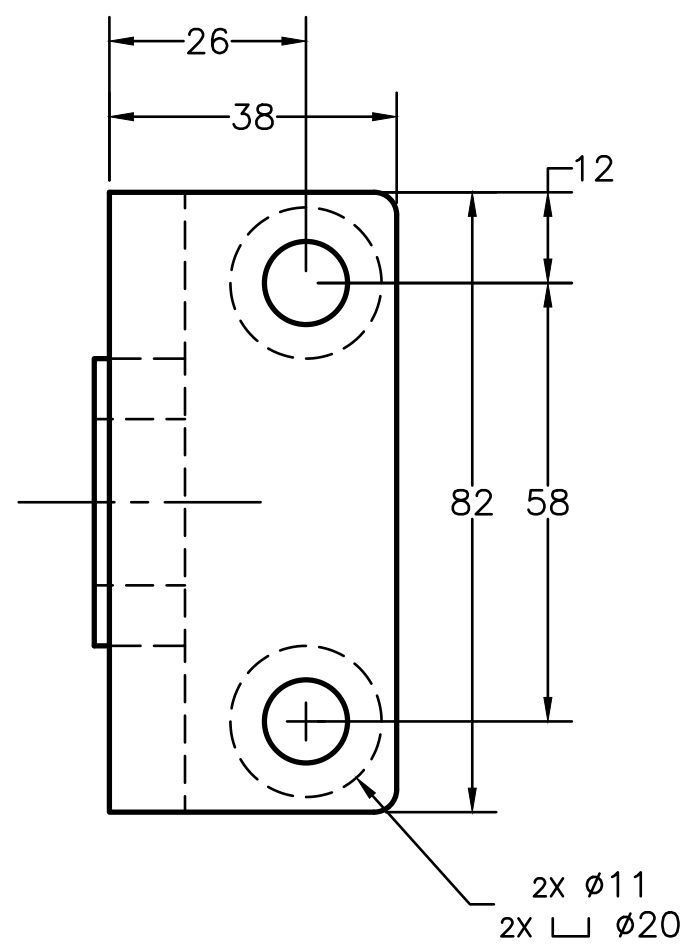
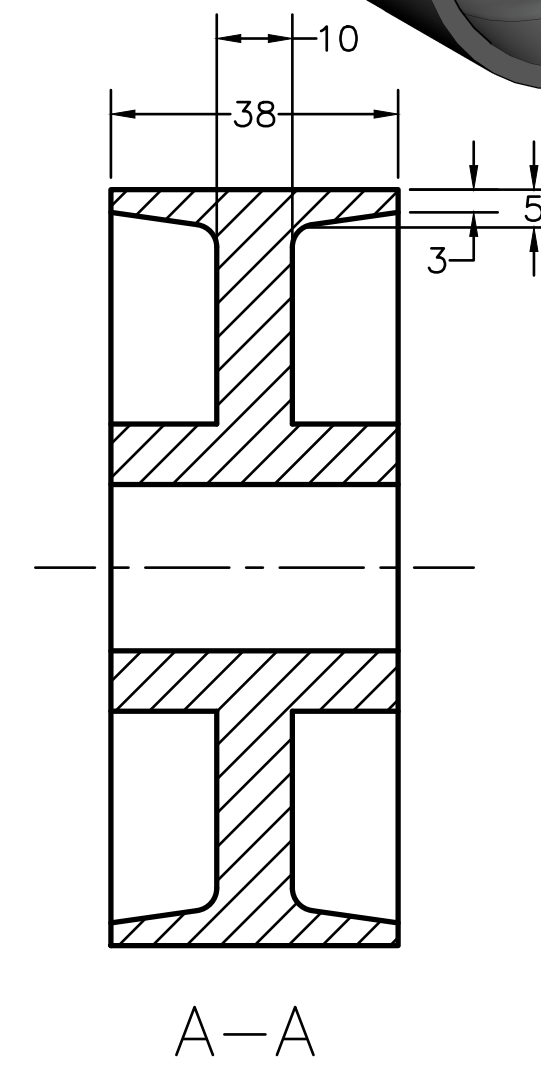
AXEL  
SCALE 1:1



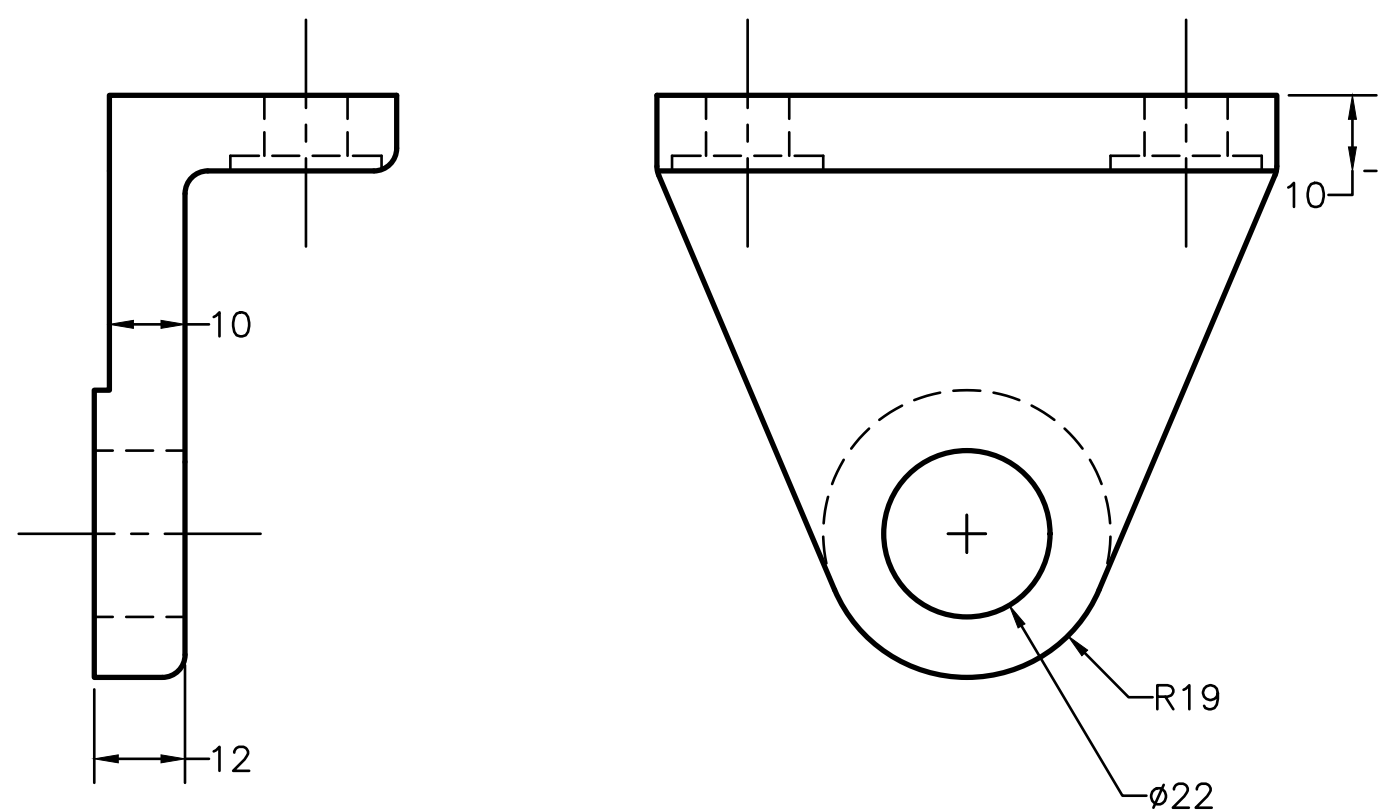
TOP PLATE  
SCALE 1:1



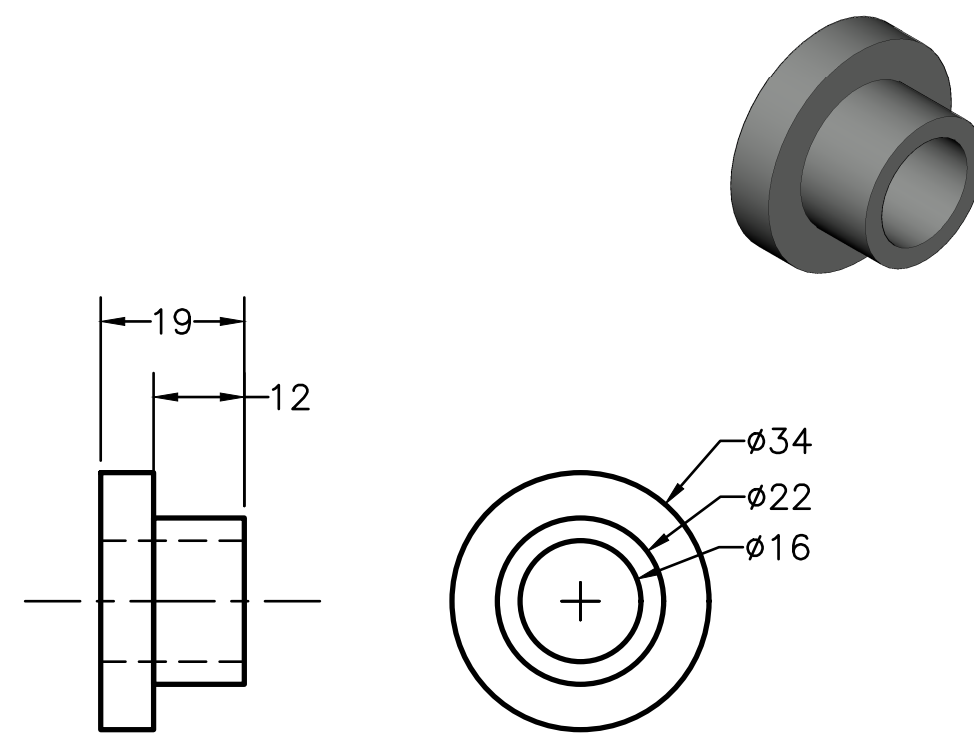
WHEEL  
SCALE 1:1



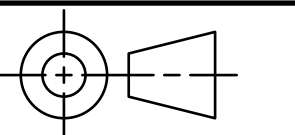
2X  $\phi 11$   
2X  $\perp \phi 20$



AXEL SUPPORT  
SCALE 1:1



BUSHING  
SCALE 1:1



TOLERANCES UNLESS SPECIFIED  
 MILLIMETER  
 WHOLE NUMBERS =  $\pm 0.5$   
 X =  $\pm 0.25$   
 FRACTIONAL  $\pm 1/64"$  XX =  $\pm 0.12$   
 ANGLES  $\pm 1$  DEGREE  
 SURFACES  $\sqrt{3}$

CLASS: DDGT 120

ASSIGNMENT #: 60

AUTOCAD DRAWING NAME:

CASTER

FIG #: 9-51

MANAGER: G. STROMMEN

DRAWER: RAMIREZ MEZA

DATE: 12/14/2023

SCALE: AS NOTED

PAGE #: 3 OF 4